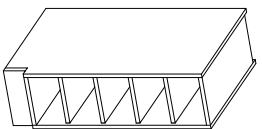
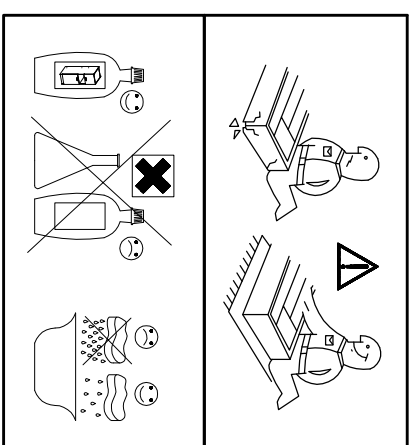
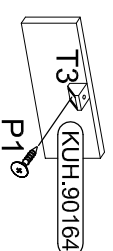
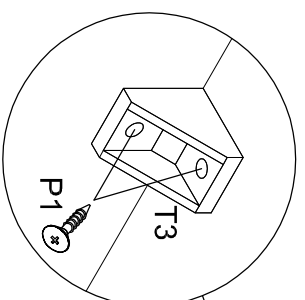
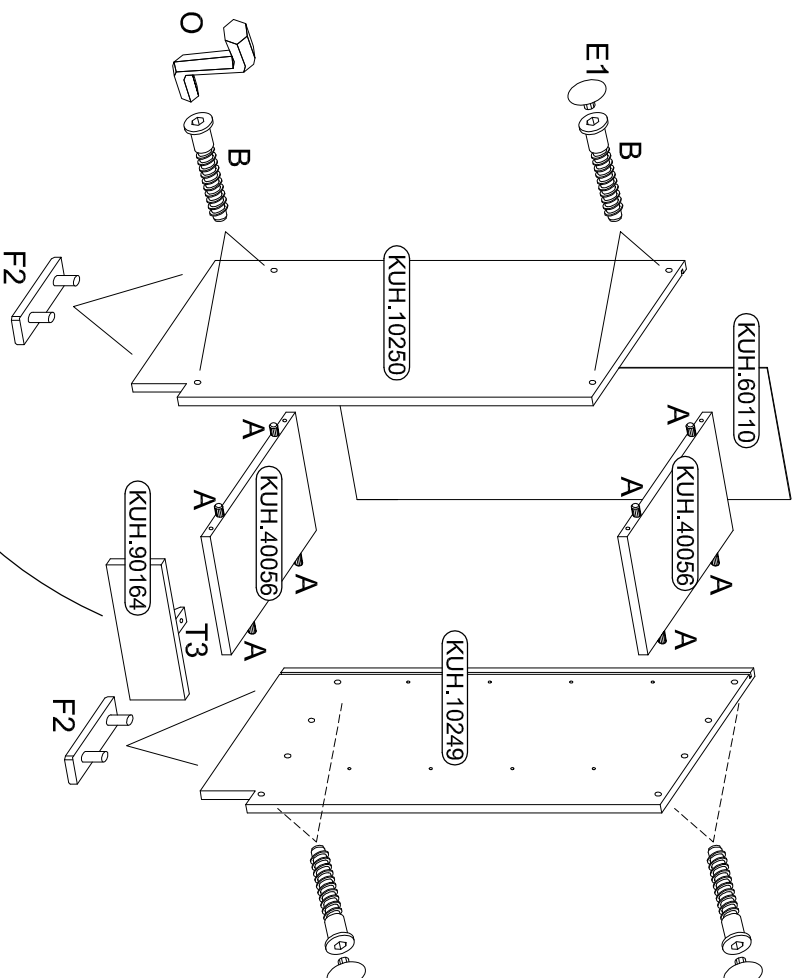
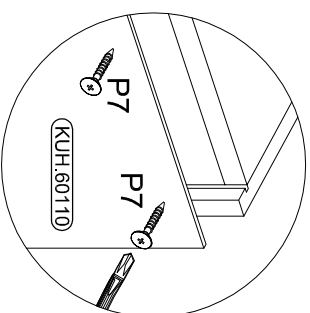
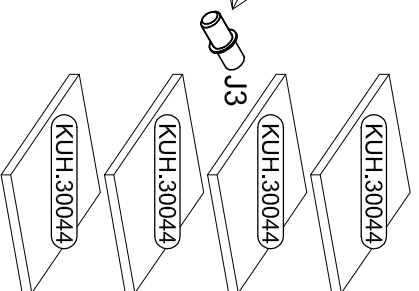
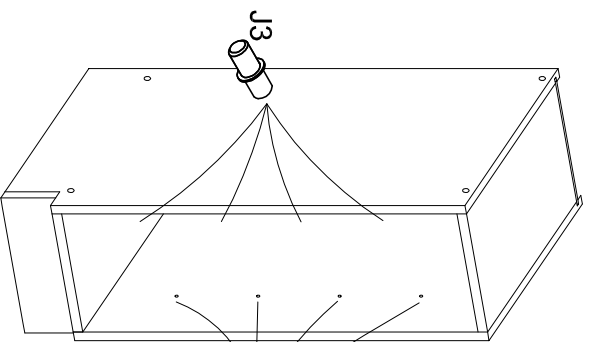
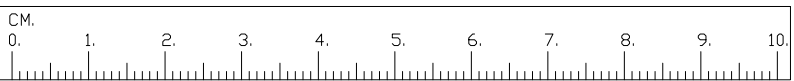
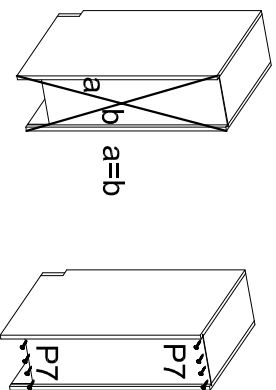


# 15 D OTW BB



8	B		8	E1		8	A		1	O		Ø3,0x20mm	6-10	P7		16	J3		Ø4,0x16mm	2	P1		1	T3		4	F2	
---	---	--	---	----	--	---	---	--	---	---	--	-----------	------	----	--	----	----	--	-----------	---	----	--	---	----	--	---	----	--



ISM-KUH-00899